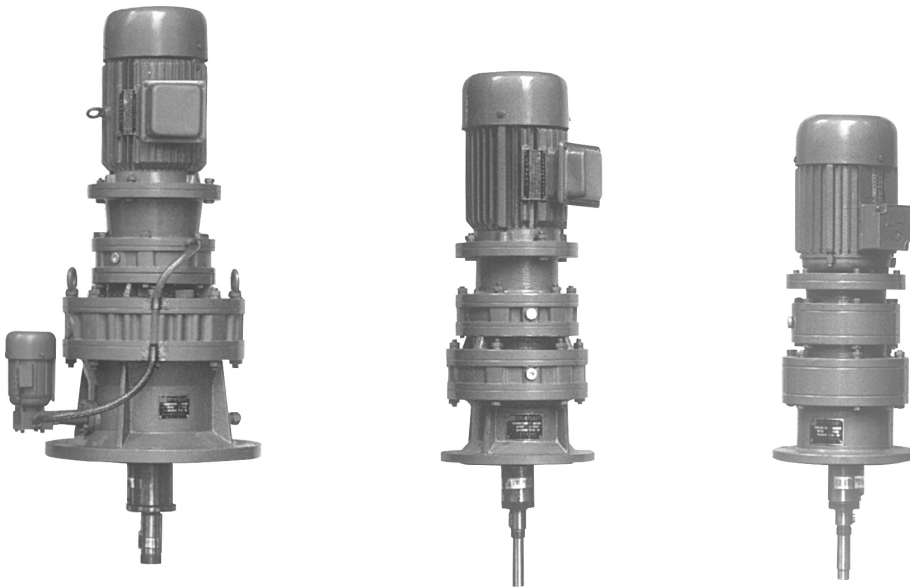




X93系列

X93系列混合机专用摆线减速机(双轴输出)
Special-purpose cycloid reducer for mixers (Double-shaft output) of X93series



X93

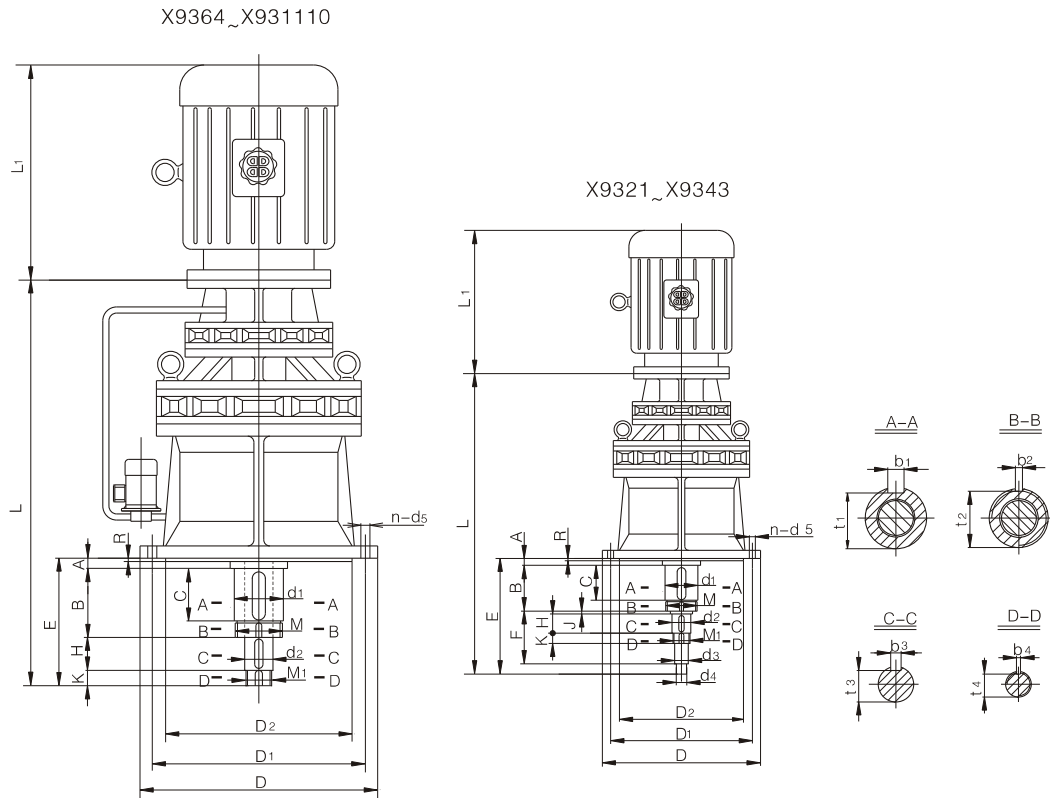
混合机专用减速机(双轴输出) 参数表
Special-purpose cycloid reducer for mixers (Double-shaft output) of X93 series

型号 Code of Model	速比i gear ratio	功率 (KW) Power(KW)0.37(level4)	立方M ³ Unit of dimension:M
X9321	1/17 × 1/23	0.37 (4级) (Grade 4)	0.01 ~ 0.015
X9332	1/17 × 1/35	0.55 (4级) (Grade 4)	0.02 ~ 0.03
X9332	1/17 × 1/35	0.75 (4级) (Grade 4)	0.05
X9343	1/17 × 1/35	1.5 (4级) (Grade 4)	0.08 ~ 0.15
X9364 (原OriginalX93886)	1/17 × 1/23	3 (4级) (Grade 4)	0.3 ~ 0.5
X9385 (原OriginalX93885)	1/17 × 1/29	4 (4级) (Grade 4)	1
X9385 (原OriginalX93885)	1/17 × 1/29	5.5 (4级) (Grade 4)	2
X9385 (原OriginalX93885)	1/17 × 1/29	7.5 (4级) (Grade 4)	3
X9397 (原OriginalX9379)	1/23 × 1/35	11 (4级) (Grade 4)	4
X9397 (原OriginalX9379)	1/17 × 1/35	15 (4级) (Grade 4)	5 ~ 6
X93108	1/23 × 1/35	18.5 (4级) (Grade 4)	8
X93108	1/23 × 1/35	18.5 (6级) (Grade 6)	10
X93109	1/23 × 1/35	22 (6级) (Grade 6)	15
X931110	1/23 × 1/35	30 (6级) (Grade 6)	20



混合机专用摆线减速机(双轴输出) 外形及安装尺寸
Shape and installation joint dimensions of Special-purpose cycloid reducer for mixers (double shaft output)

X93



型号 Model	D	D ₁	D ₂ (h ₇)	d ₁ (h ₇)	d ₂ (h ₆)	d ₃	d ₄ (k ₆)	d ₅	n	M	M ₁	A	B	C	E	F	R	J	H	K	b ₁	b ₂	b ₃	b ₄	t ₁	t ₂	t ₃	t ₄	L	L ₁
X9321	165	142	115	42	20	16	15	11.5	6	M40×1.5	M18×1.5	6	58	45	152	77	4	2	20	10	12	6	6	5	37	37	16.5	15	379	
X9332	180	155	130	48	25	20	17	11.5	6	M45×1.5	M22×1.5	6	65	51	167	82	4	2	18	15	14	6	8	5	42.5	42	21	19	405	
X9343	250	220	190	55	28	22	20	11.5	6	M55×1.5	M25×1.5	6	70	55	200	108	4	3	30	13	16	8	8	5	49	51	24	22	546	
X9364	400	360	316	80	40	-	-	15.5	8	-	M40×1.5	7	84	84	195	-	5	-	85	19	22	-	12	6	71	-	35	35	663	
X9385	490	450	400	105	45	-	-	17.5	12	M105×2	M40×1.5	8	110	88	188	-	6	-	51	19	28	12	14	6	97	101	39.5	37	777	
X9397	580	520	455	120	69	-	-	22	12	M115×2	-	48	145	105	328	-	8	-	135	-	32	14	20	-	109	110	61.5	-	1057	
X93108a	650	590	520	120	69	-	-	23	12	M115×2	-	48	145	105	328	-	8	-	135	-	32	14	20	-	109	110	61.5	-	1124	
X93108b	650	590	520	140	80	-	-	23	12	M130×2	-	40	170	128	345	-	8	-	135	-	36	14	22	-	128	126	71	-	1141	
X93109a	650	590	520	140	80	-	-	23	12	M130×2	-	40	170	128	345	-	8	-	135	-	36	14	22	-	128	126	71	-	1177	
X93109b	650	590	520	140	85	-	-	23	12	M130×2	-	40	170	128	345	-	8	-	135	-	36	14	22	-	128	126	76	-	1177	
X931110	880	800	680	170	100	-	-	28.5	12	M170×3	-	38	210	158	412	-	10	-	164	-	40	16	28	-	157	159	90	-	1564	

按所配电机尺寸
Following the Dimensions of Motor Equipped